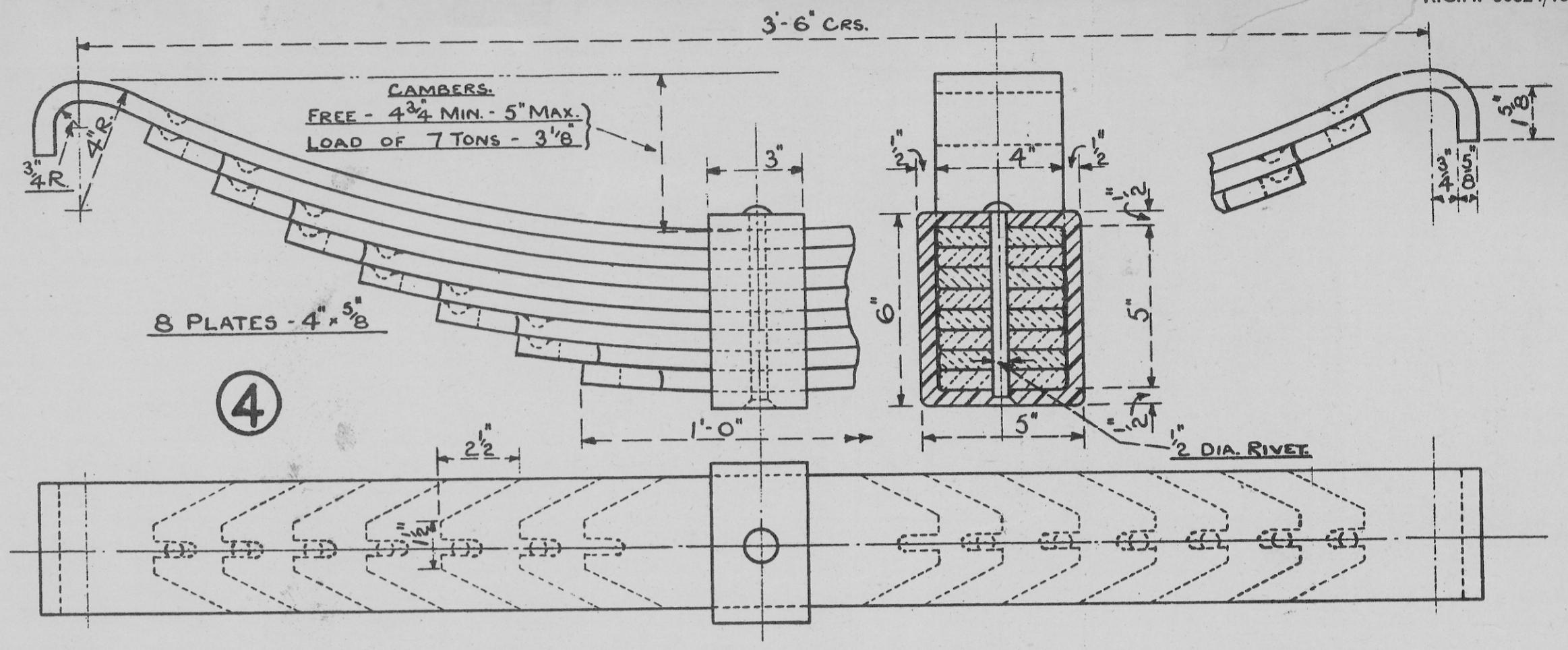
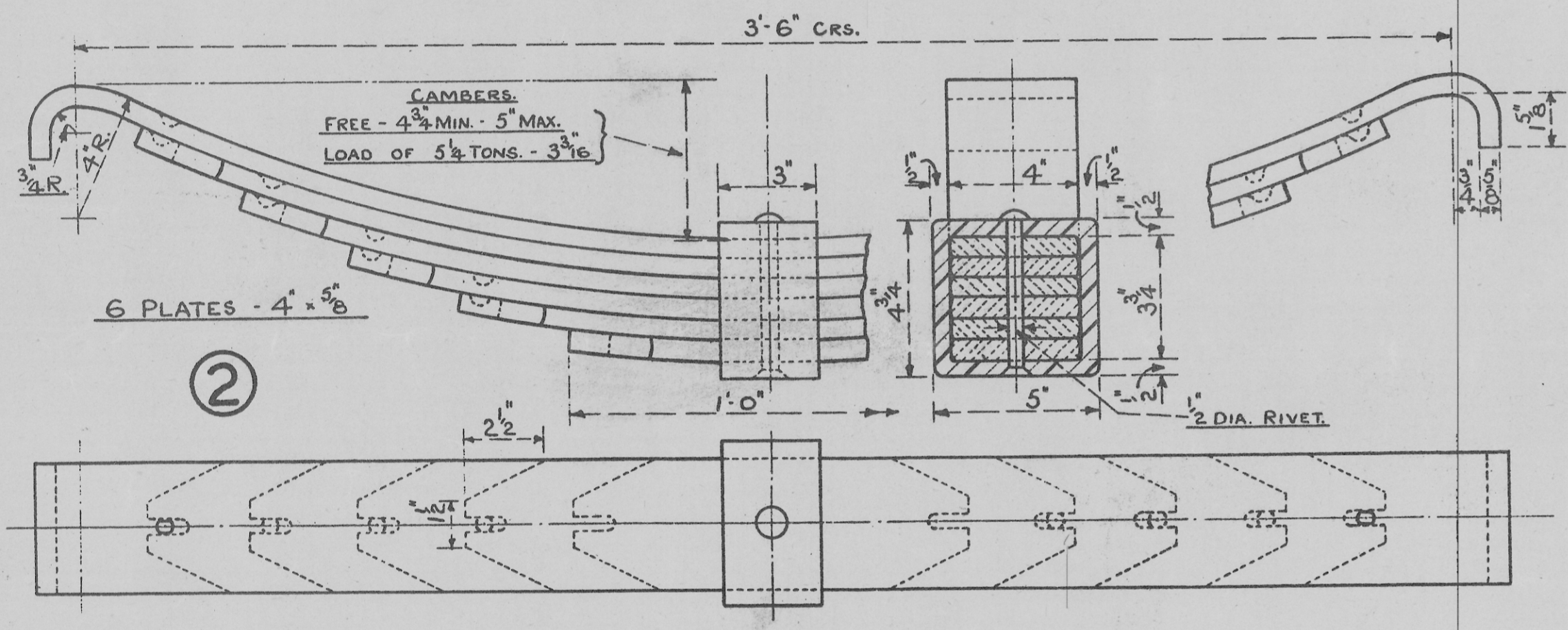


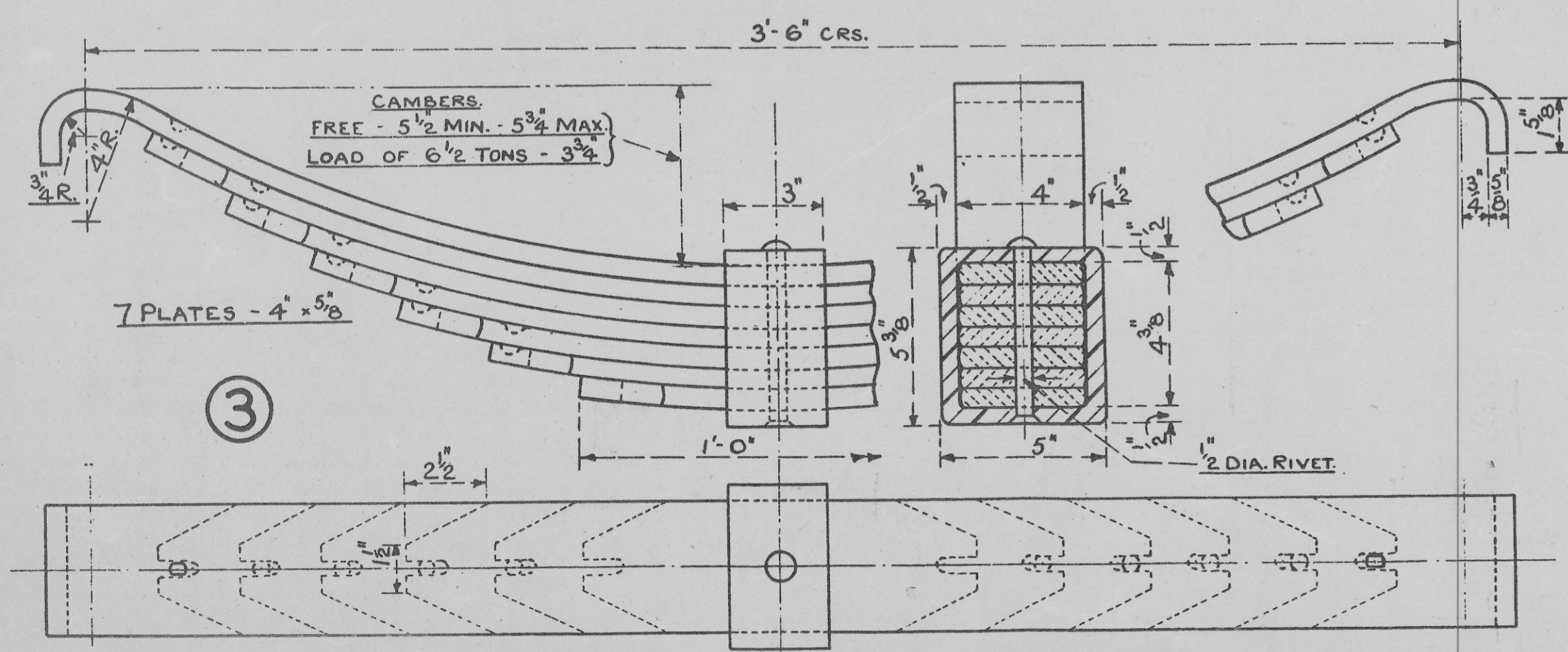
FOR 8, 10, 12, & 13 TON WAGONS.



FOR 20 TON TANK WAGONS.



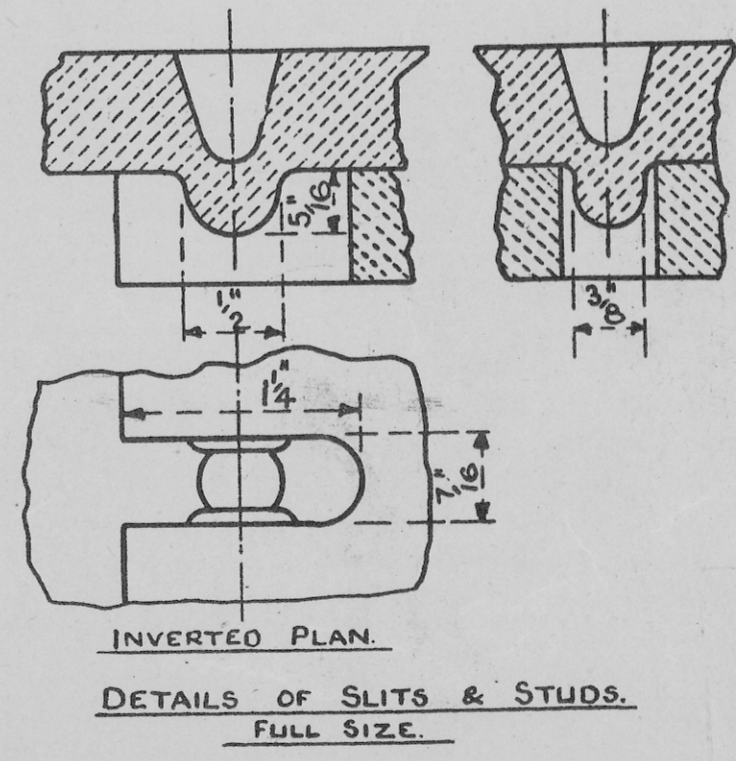
FOR 12 & 14 TON TANK & 14/16 TON MINERAL WAGONS.



FOR 20 TON ORDINARY WAGONS.

R.C.H. 60624/13

NOTE:—To be made in accordance with B.S.I. Report 24, Part 3, Specn. 6a, and material to B.S.I. Report 24, Part 3, Specn. 6b.



OIL HARDENED BEARING SPRINGS FOR WAGONS.

SCALE:—3" TO 1'-0"

APRIL, 1947. DRG. No. 1051.

FILING
DRAWER No. 223